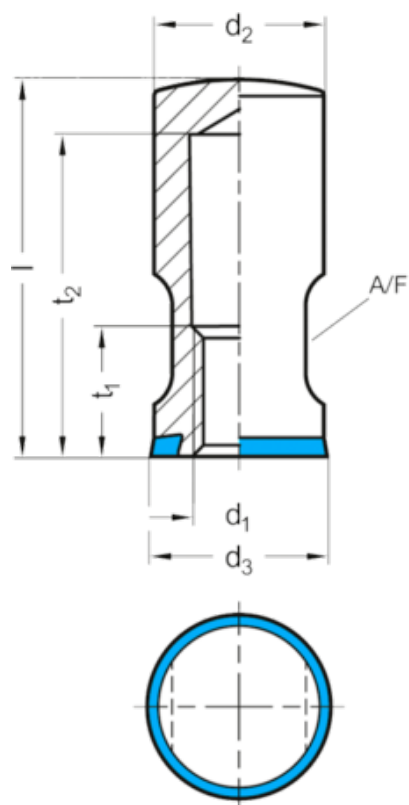


Data Sheet

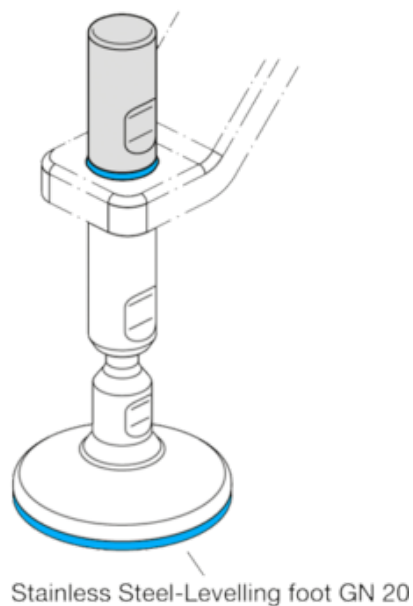


Article number: 20201M1256E
Description: GN 20.1-M12-56-E
Stainless Steel-Cover sleeves
Note: Hygienic Design

Measures



Application example



A/F	= 19
d1	= M 12
d2	= 25
d3	= 25.8
l	= 56
t1	= 15.5
t2	= 50
Weight in (g)	= 159